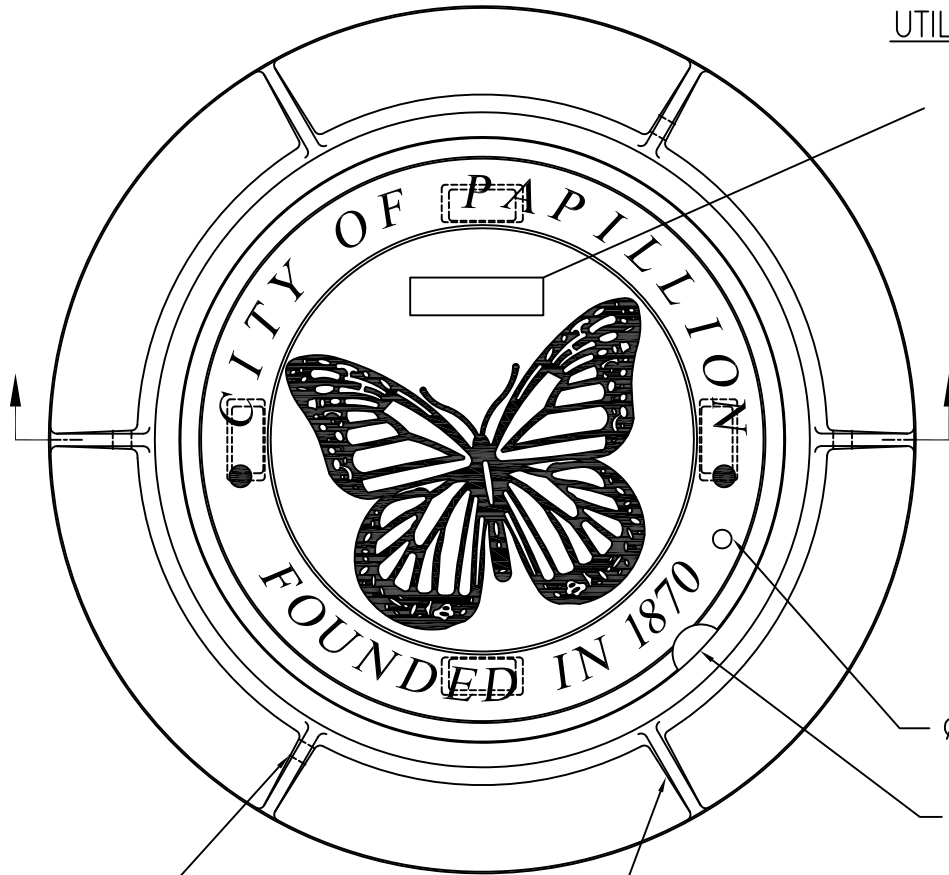


UTILITY SPECIFIC

SEWER
STORM
WATER

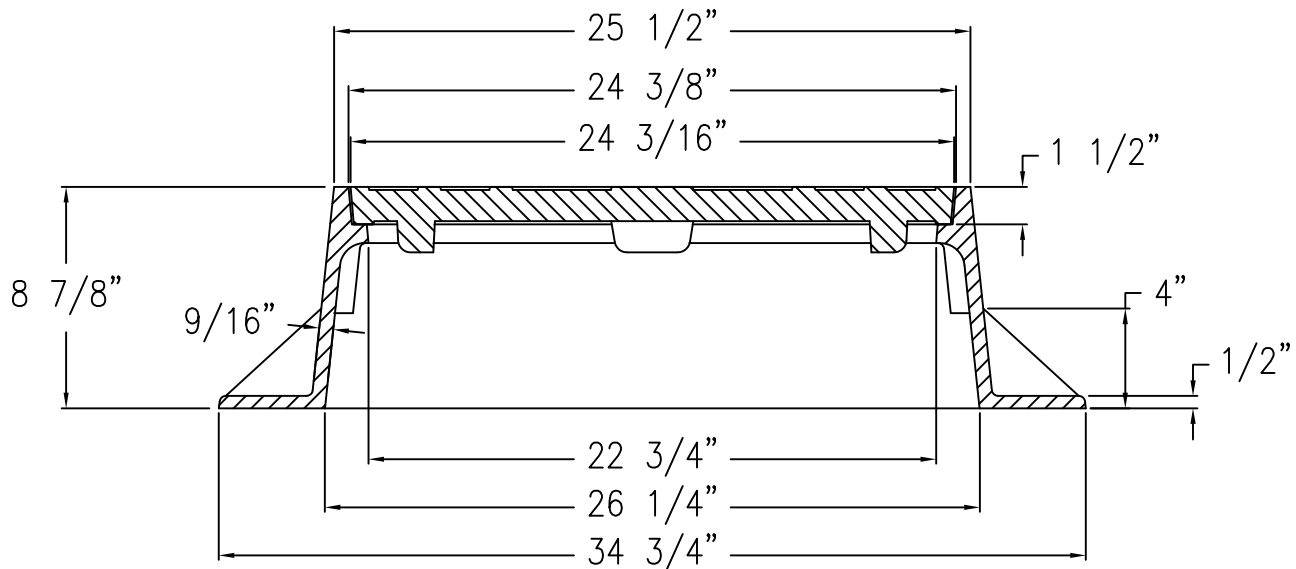


4 - $\phi 3/4$ " HOLES IN GUSSETS FOR LIFTING

6 GUSSETS $3/4$ " TAPER TO $1/2$ "

$\phi 7/8$ " PICKHOLE

(1) OPEN PICK



NOTE:

1. FURNISHED WITH MACHINED HORIZONTAL BEARING SURFACES.

CAD DWG. REF: M1102-01\ \LAYER: ALL\SCALE: .125

MATERIAL: CAST GRAY IRON ASTM A-48, CLASS 35B

FINISH: NO PAINT

WEIGHT: FRAME 187 LBS.

WEIGHT: COVER 150 LBS.



Deeter Foundry, Inc.

5945 NORTH 70th STREET
LINCOLN, NEBRASKA 68529

1102

STANDARD MANHOLE RING & COVER

Date: 14 APR 95

Drawn by: RON

Scale: 1/8

DRAWING NO. M1102-01

Revised by: KRH

Date: 20 APR 10