

# APPLICATION FOR DECK PERMIT

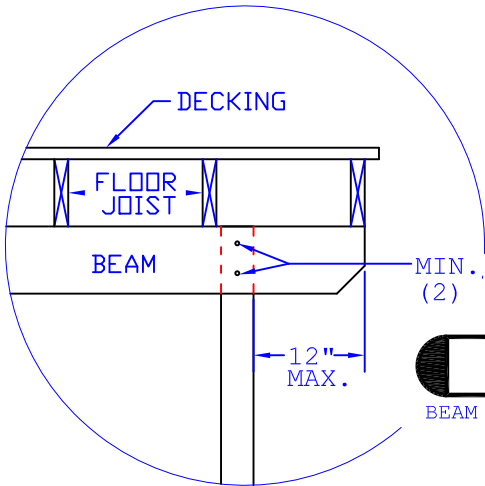


## REQUIRED INFORMATION

ALL  SEEN BELOW  
 SPECIES OF LUMBER \_\_\_\_\_  
 HEIGHT OF DECK ABOVE GRADE \_\_\_\_\_

IS ANY PORTION OF THE DECK SUPPORTED OFF A CANTILEVER?  YES  NO

ADDITIONAL DECK REQUIREMENTS ON BROCHURE



MIN. POST TO BEAM CONNECTION:  
 (2) 1/2" THROUGH BOLTS



CAN'T PASS A 4" SPHERE

GUARD RAIL  
 36" MIN

CAN'T PASS A 4-3/8" SPHERE

CAN'T PASS A 6" SPHERE

34"-38"  
 HANDRAIL

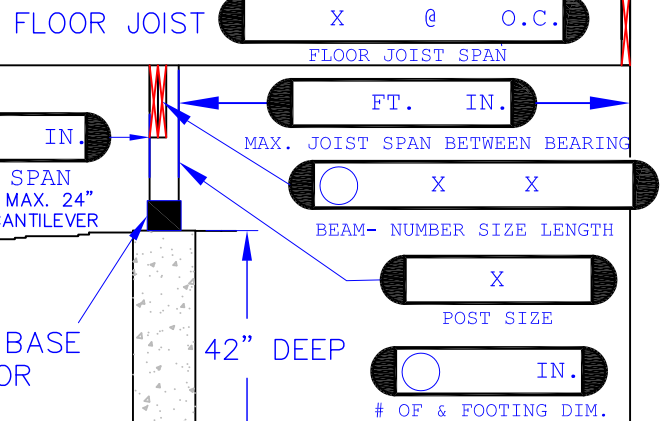
7-3/4" RISE MAX.

10" MIN

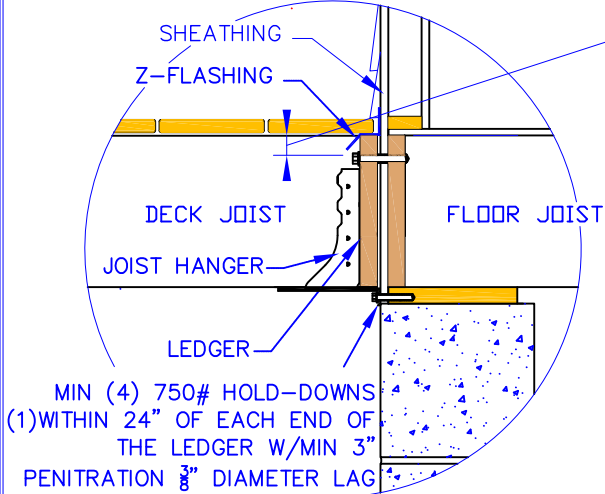
3' LANDING MIN.

POST BASE ANCHOR

42" DEEP



### DECK ATTACHMENT (OPTION 1)



1/2" BOLTS 16" O.C.  
 SPANS LESS THAN 10'  
 1/2" BOLTS 12" O.C.  
 SPANS 10' - 20'  
 2" MIN FROM TOP AND BOTTOM

### DECK ATTACHMENT (OPTION 2)

